

REFLEX

REFLEX is the aluminium open cell ceiling system developed on a new concept.

Thanks to its “∇” parabolic shape profiles and the material employed (anti-iridescent semi-specular, anodised aluminium), REFLEX is ideal for settings requiring a high light intensity, like rooms equipped with video terminals, showrooms, shops, banks, etc.

REFLEX ensures a ceiling system with high quality lighting technology and great architectural effect.

FEATURES

REFLEX features 800x800 mm modular panels, made of “∇” profiles 30 mm high, which suitably assembled form a square cell.

Cell size 50x50 mm. Height 30 mm.

Upon request, special modules and cell sizes are available.

The profiles are made by BENDING SYSTEM, which gives: the accuracy of profiles, more square edges and blades perfectly straight.

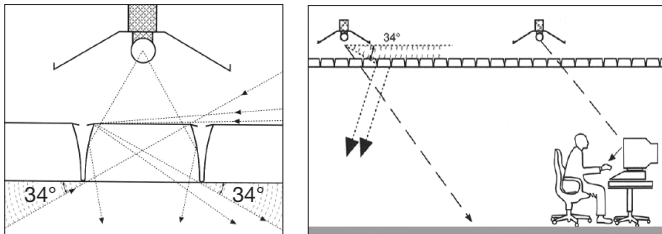
OREFLEX is usually supplied in anti-iridescent semi-specular anodised aluminium or gold finish. Pre-painted or enamelled finishes upon request.

REFLEX is always supplied assembled.

REFLEX - LIGHTING SYSTEM

REFLEX excludes any glare, both direct and indirect.

Up to a 34° angle the parabolicity of the grill prevents the direct glare and the reflection of lighting on the ceiling surface.

**FIRE REACTION**

Ceir open cell ceilings are classified incombustible in compliance with international standards.

INSTALLATION

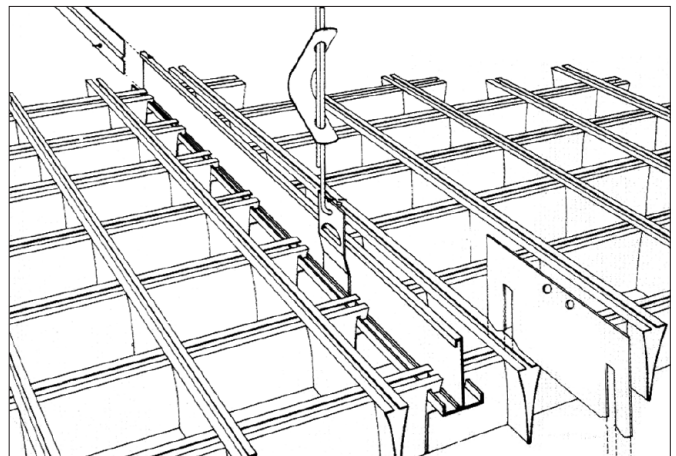
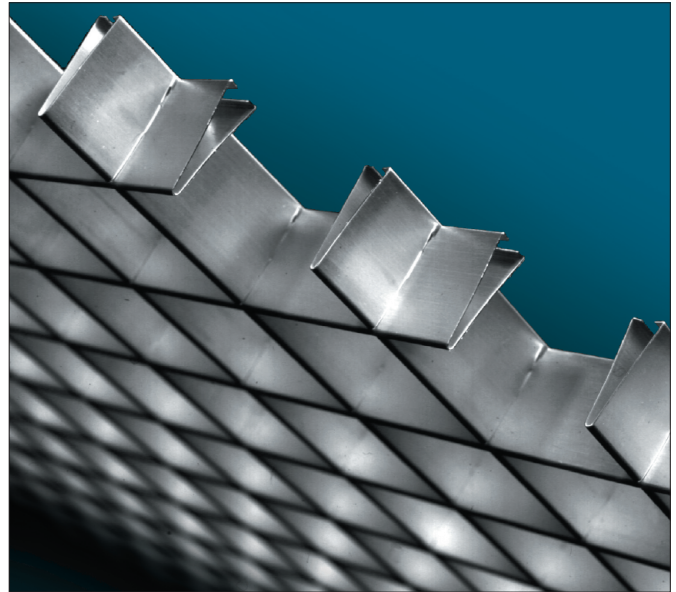
The concealed REFLEX suspension system allows for easy and fast placement or removal of panels.

The panels are installed on a T-grids, giving a trackless appearance.

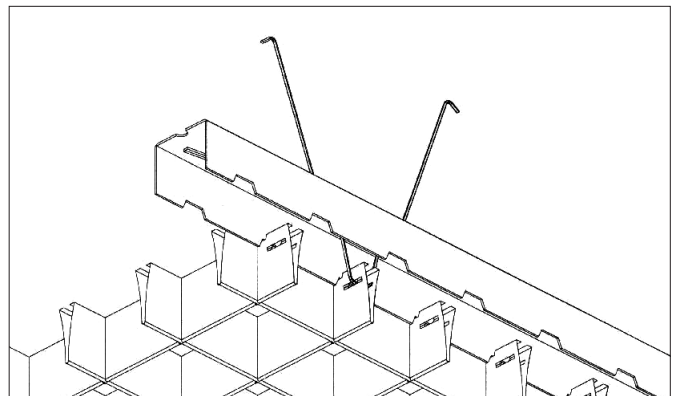
REFLEX can also be suspended from the concealed Delta suspension system, demountable from below.

SPECIFICATION

Product:	REFLEX
Supply form:	assembled panels
Material:	0,40 mm. th. aluminium
Section blade:	“∇”, h. 30 mm.
Cell size:	50x50 mm.
Panel size:	800x800 mm. (standard)
Finish:	...
Suspension:	concealed REFLEX system by T-grids or Delta system
Quantity:	... sq.m.



Reflex suspension system



Delta suspension system

CEIR

Via Marconi, 3 - 35030 Caselle di Selvazzano - PD - Italy

tel. +39.049.630779 • fax +39.049.632254

www.ceir.com • e-mail: ceir@ceir.com